

Die Grinders (Collet Output)

300GE Series & 307GE Series

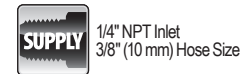
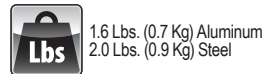
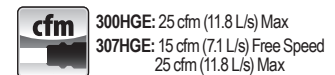
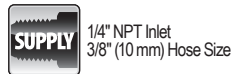
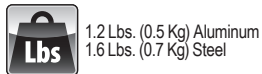
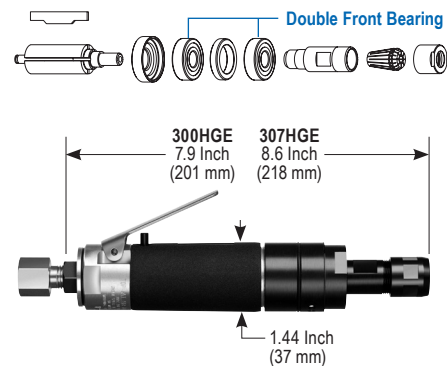
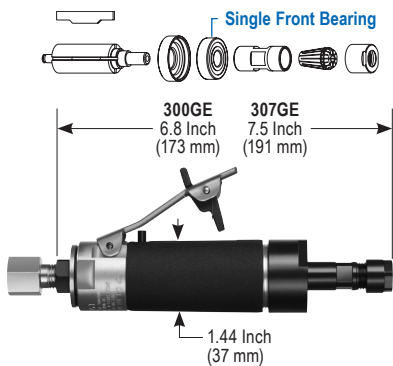


300HGE Series & 307HGE Series



Collet Type/Capacity	Exhaust Direction	Max. Rated Speed	Lever Style	MODEL NUMBER
ER Style Insert Collet 3/8 Inch (10 mm) Maximum	Rear	30,000 RPM	Standard Lever	300GE;30000;1/4
			Safety Lever	300GEK;30000;1/4
		25,000 RPM	Standard Lever	300GE;25000;1/4
			Safety Lever	300GEK;25000;1/4
		20,000 RPM	Standard Lever	307GE;20000;1/4
			Safety Lever	307GEK;20000;1/4
		18,000 RPM	Standard Lever	307GE;18000;1/4
			Safety Lever	307GEK;18000;1/4

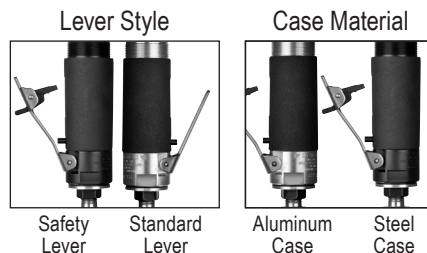
Collet Type/Capacity	Exhaust Direction	Max. Rated Speed	Lever Style	MODEL NUMBER
Double Front Bearing ER Style Insert Collet 3/8 Inch (10 mm) Maximum	Rear	30,000 RPM	Standard Lever	300HGER;30000;1/4
			Safety Lever	300HGERK;30000;1/4
		25,000 RPM	Standard Lever	300HGER;25000;1/4
			Safety Lever	300HGERK;25000;1/4
		20,000 RPM	Standard Lever	307HGER;20000;1/4
			Safety Lever	307HGERK;20000;1/4
		18,000 RPM	Standard Lever	307HGER;18000;1/4
			Safety Lever	307HGERK;18000;1/4
	Side	30,000 RPM	Standard Lever	300HGE;30000;1/4
			Safety Lever	300HGEK;30000;1/4
		25,000 RPM	Standard Lever	300HGE;25000;1/4
			Safety Lever	300HGEK;25000;1/4
		20,000 RPM	Standard Lever	307HGE;20000;1/4
			Safety Lever	307HGEK;20000;1/4
		18,000 RPM	Standard Lever	307HGE;18000;1/4
			Safety Lever	307HGEK;18000;1/4



STANDARD EQUIPMENT

- Tool
- Operating Instructions and Service Manual
- Wrenches (sizes based on options)

300GE, 307GE, 300HGE & 307HGE Alternate Options



Inserted Tool Mounting



The 300GE is available with a front exhaust.